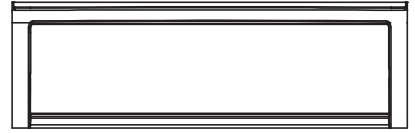


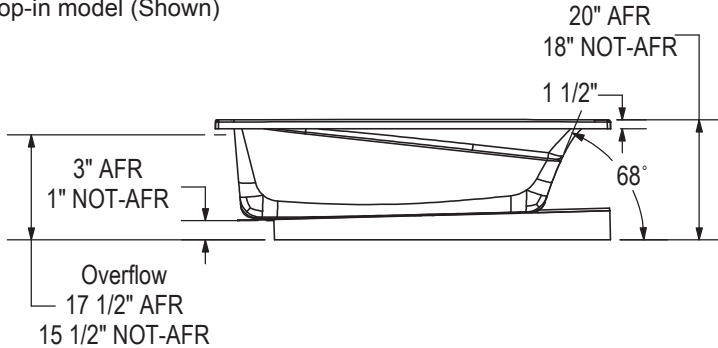
IFS Without System
Single tiling flange



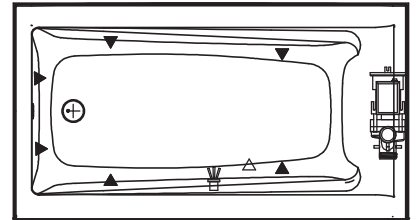
IFS With System
(access panel)
Single tiling flange



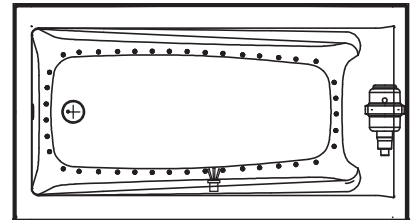
1" Single integrated tiling
flange (not shown)
Drop-in model (Shown)



WHIRLPOOL SYSTEM



AIR SYSTEM



Technical drawing is universal for all
Exhibit 6636 configurations.

Wood support design may vary.
Single Integrated tiling flange: 1" height x 1/4" thickness (not shown)

All dimensions are approximate.
Structure measurement must be verified against the unit to ensure proper fit.

- (▲) : Indicates whirlpool jets positioning
- (△) : Indicates suction positioning
- (●) : Indicates airjets positioning
- (⊞) : Indicates chromatherapy light positioning