

MILANO CONSOLE

Cat. No.
968



W: 33- $\frac{1}{4}$ "
D: 22- $\frac{5}{8}$ "
H: 34- $\frac{3}{8}$ "

Interior Dimensions:

Basin Interior:	17" x 14"
Basin Depth:	8"
Side Deck:	8"
Back of basin to center of faucet:	2- $\frac{1}{2}$ "
Back of basin to center of drain:	7- $\frac{1}{2}$ "
Mount bolts height:	32"
Mount holes cc:	8"
Faucet and spout holes:	1- $\frac{1}{2}$ "

Features:

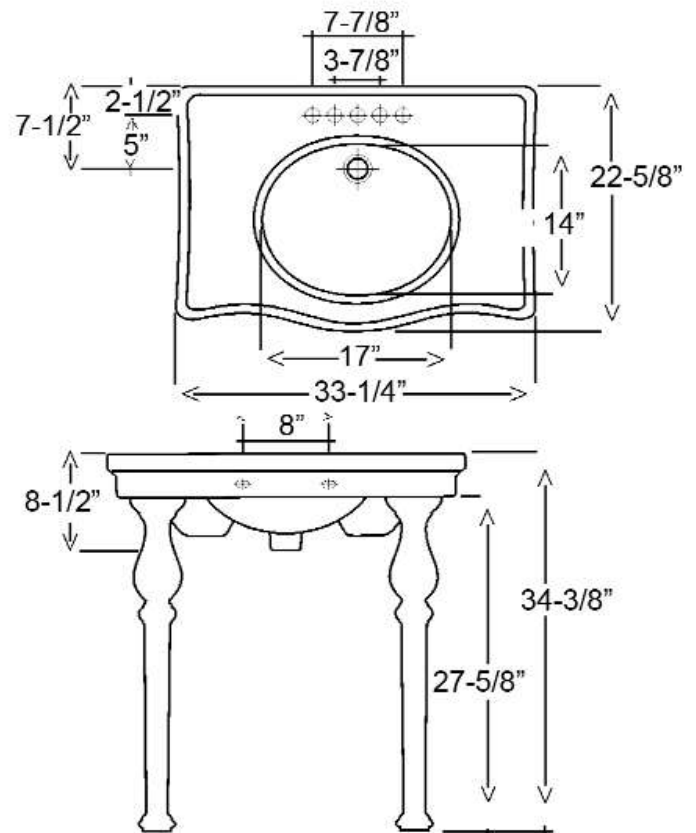
- ▶ Made of Vitreous China
- ▶ Traditional Style
- ▶ Large Deck
- ▶ Mounting Hardware Included
- ▶ IAPMO certified



Colors:

WH White
BQ Bisque

Compliance Certification
Meets or exceeds the following specifications: ASME A112.19.1 2018 AND CSA B45.1-18 for Vitreous China fixtures.



Dimensions of fixture are nominal and may vary within the range of tolerances established by ASME Standard A112.19.2.2018 Dimensions and specifications subject to change without notice.