

Icon Base 4842

Model number:

141452

Dimensions: 48" x 42" x 4"

Installation:

Material: AcrylX™

Standard Features:

- Low Threshold Shower Base
- ArmorCore Reinforcement
- Integrated Weep Holes
- Textured Floor
- Center Drain

Product characteristics:

- AcrylX™
- Modern minimalist design
- Textured Bottom Surface

Warranty:

Lifetime limited



Standard colors:



White (002)



Bone (004)



Biscuit (007)

Certifications

ABG products adhere to one or more of the following certifications:



Icon Base 4842

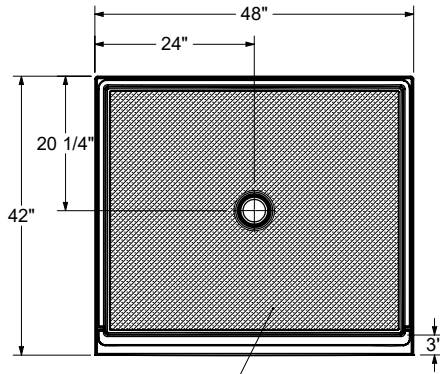
Model number:

141452

Dimensions: 48" x 42" x 4"

Installation:

Material: AcryIX™



The hatched area represents the anti slip



All dimensions are approximate. Structure measurements must be verified against the unit to ensure proper fit.

Dimensions:

48 x 42 x 4 1/4 in.
(1219 x 1067 x 108 mm)

Weight:

71 lbs (32.2 kg)

Shape:

Rectangular

Drain location:

Center

Installation:

Alcove

Project:

Contractor:

Representative:

Date:

Tel:

Notes: