

CODE NUMBER

3919735

DESCRIPTION

1.6 gpf, Brushed Stainless Finish, Fixture Connection Top Spud, Single Flush, Royal® Exposed Manual Specialty Water Closet Bedpan Washer Flushometer.

DETAILS

- Flush Volume: 1.6 gpf (6.0 Lpf)
- Finish: Brushed Stainless (SF)
- Valve: Diaphragm
- Valve Body Material: Semi-red Brass
- Fixture Type: Water Closet
- Fixture Connection: Top Spud
- Rough-In Dimension: 26 ½" (673mm)
- Spud Coupling: 1 ½" (38mm)
- Supply Pipe: 1" (25mm)

FEATURES

- Exposed water closet, diaphragm model Flushometer is intended for floor-mounted or wall-hung top spud bowls
- Incorporates a patented one-piece construction body design, maintaining the spray arm in an upright position
- Presents a leaner, more aesthetic installation, reducing possible bacteria growth on hidden and hard-to-reach surfaces found on other bedpan washer units
- Eliminates the need for unsanitary hose sprays, as well as the additional housekeeping that hoses require and the potential for patient slippage
- Valve body, stop body, diverter body and diverter pivot made from brass casting using semi-red brass for durability and long life
- PERMEX synthetic rubber diaphragm with Dual Filtered Fixed Bypass
- Valve body, Cover, Tailpiece and Control Stop shall be in compliance with ASTM Alloy Classification for Semi-Red Brass
- Valve shall be in compliance to the applicable sections of ASSE 1037.



COMPLIANCES & CERTIFICATIONS



(ADA Compliant, cUPC Certified, BAA Compliant)

RECOMMENDED SPECIFICATION

Valve Body, Cover, Tailpiece and Control Stop shall be in conformance with ASTM Alloy Classification for Semi- Red Brass. Valve shall be in compliance with the applicable sections of ASSE 1037 and ANSI/ASME 112.19.2.

VALVE OPERATING PRESSURE (FLOWING)

15–80 PSI (103–552 kPa). Specific fixtures may require greater minimum flowing pressure - consult manufacturer requirements.

DOWNLOADS

- [Slimline Royal/Regal XL Exposed Installation Instructions](#)
- [Control Stop Repair and Maintenance Guide](#)
- [Flush Connections Flanges Repair and Maintenance Guide](#)
- [Tail Piece Repair and Maintenance Guide](#)
- [Royal Manual Diaphragm Flushometer Repair and Maintenance Guide](#)
- [Slimline Bedpan Washer Repair and Maintenance Guide](#)
- [Additional Downloads](#)

NOTES

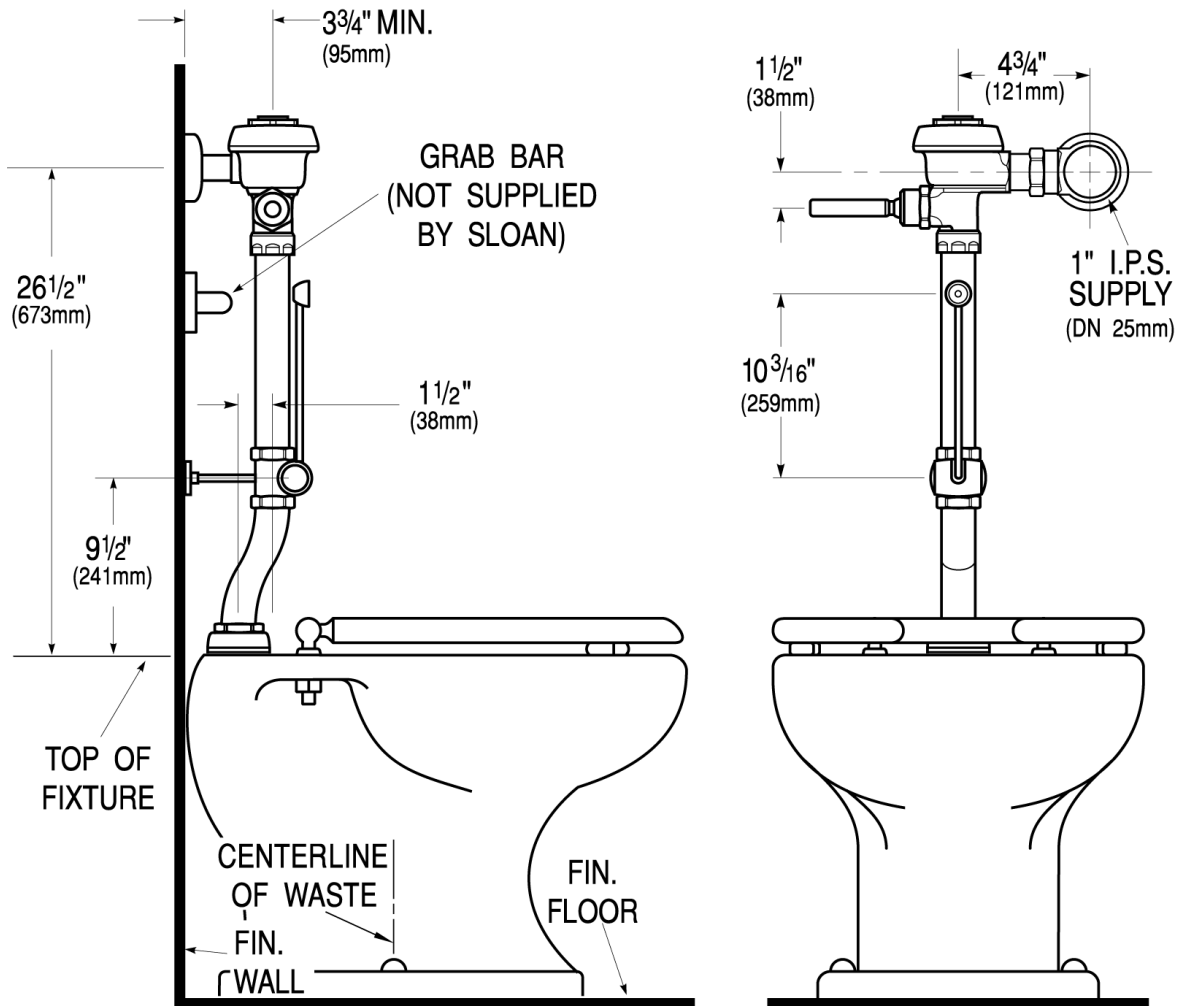
All information contained within this document subject to change without notice.

Looking for other variations of the ROYAL BPW 1150 product? [View the general spec sheet with all options.](#)

[Find a compatible urinal](#) for this flushometer.

[Find a compatible water closet](#) for this flushometer.

ROUGH-IN



Sloan 10500 Seymour Ave, Franklin Park, IL 60131
Phone: 800.982.5839 • Fax: 800.447.8329 • sloan.com