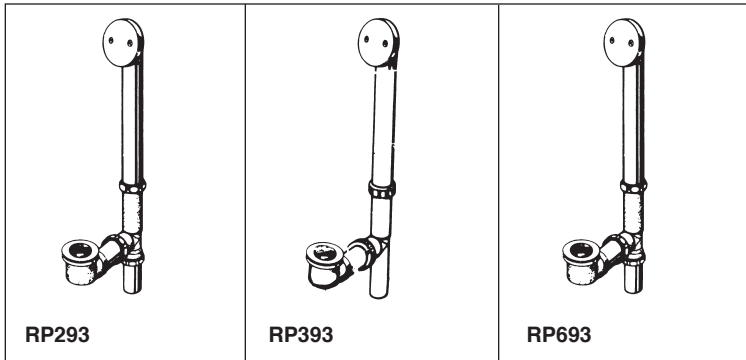




see what Delta can do™

BATH WASTE DRAINS



Submitted Model No.: _____

Specific Features: _____

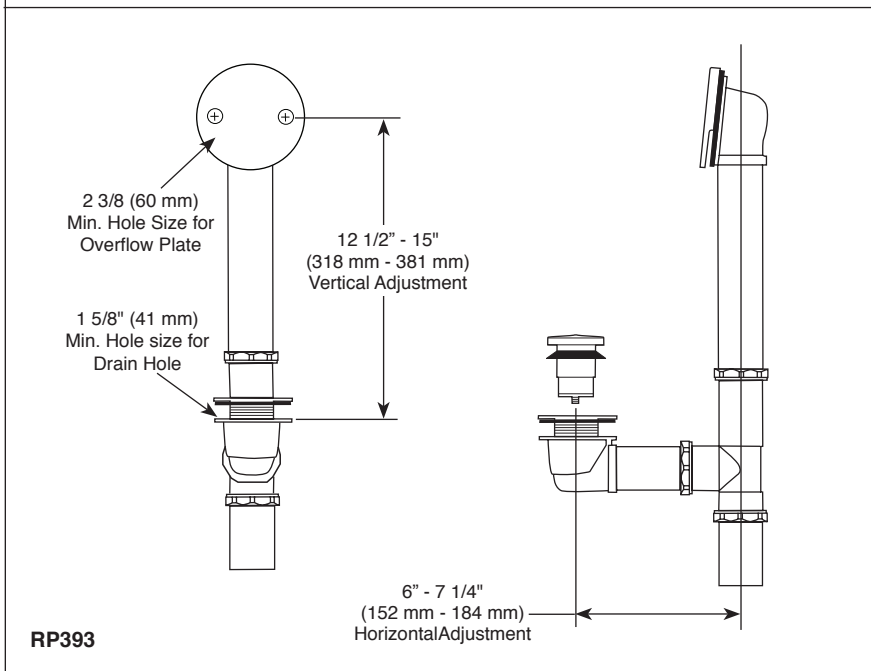
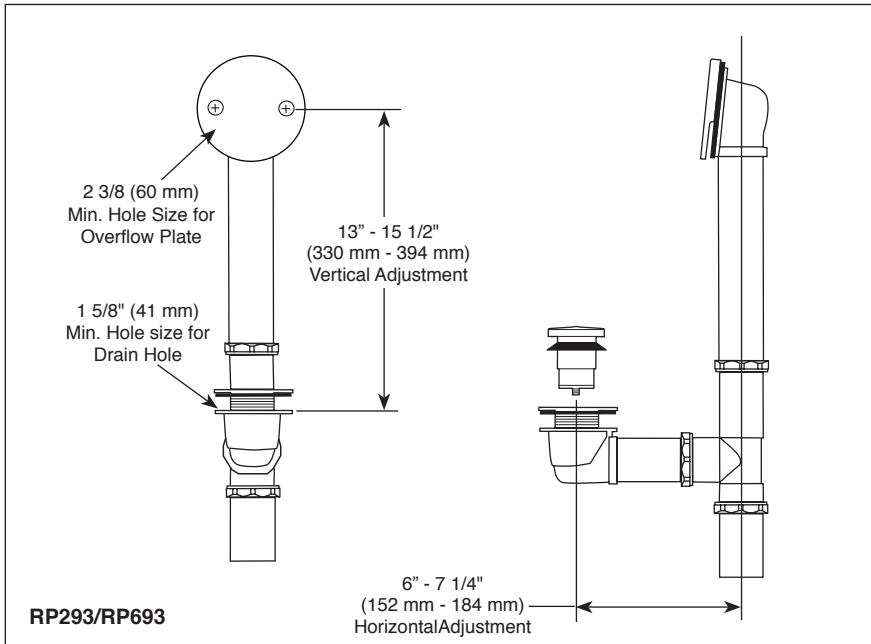
- Toe-Operated Drain
- 17 Gauge Brass (RP693 Series)
- 20 Gauge Brass (RP293)
- Polypropylene (RP393)
- 15 1/2 (394 mm) Maximum Vertical Adjustment
- 7 1/4 (184 mm) Maximum Horizontal Adjustment

STANDARD SPECIFICATIONS:

- Plated brass overflow plate
- Drain mechanism shall be a toe operated device
- All materials in drain line and built-in portion of fitting shall be resistant to corrosion
- Brass construction (RP293 and RP693 series) or polypropylene construction (RP393)
- Slip joints provided in the drain and overflow lines
- Leakage past stopper when closed shall not one (1) U.S. gallon per hour at a pressure of six-inch water column
- All moveable parts must be capable of being repaired by being removable from the drain body
- All exposed external surfaces must be corrosion resistant

WARRANTY

- Parts and Finish - Lifetime limited warranty; or for commercial purchasers, 10 years for multi-family residential (apartments and condominiums) and 5 years for all other commercial uses, in each case from the date of purchase.
- Electronic Parts and Batteries (if applicable) - 5 years from the date of purchase; or for commercial purchasers, 1 year from the date of purchase. No warranty is provided on batteries.



Delta reserves the right (1) to make changes in specifications and materials, and (2) to change or discontinue models, both without notice or obligation. Dimensions are for reference only. See current full-line price book or www.deltafaucet.com for finish options and product availability.

DSP-B-RP293 Rev. C

Delta Faucet Company

55 E. 111th Street, Indianapolis, IN 46280
350 South Edgeware Road, St. Thomas, ON N5P 4L1
© 2020 Delta Faucet Company