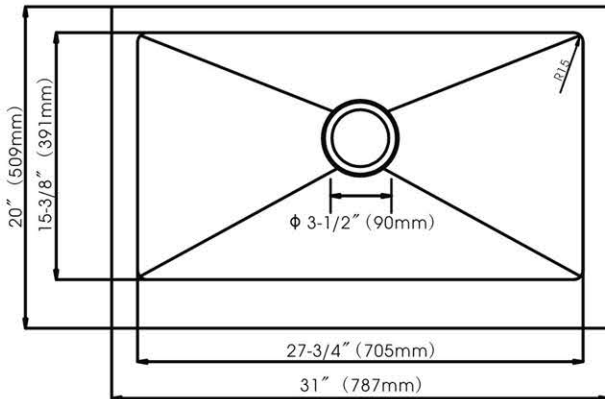
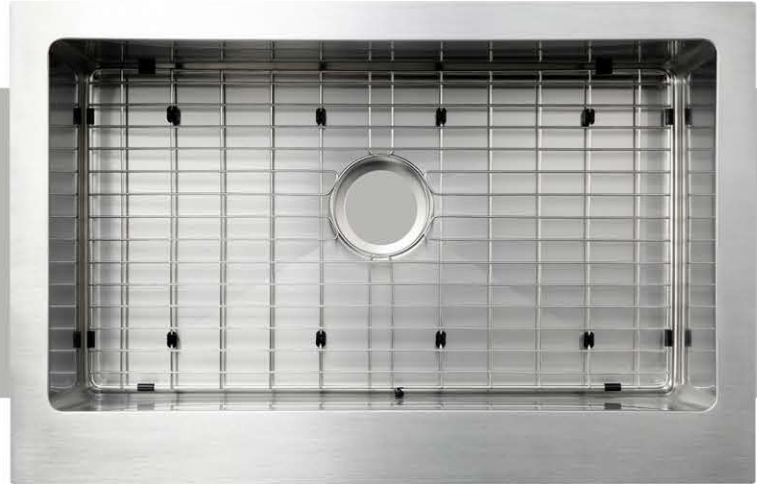


Stainless Steel Kitchen Sink

31" x 20" x 7-3/4" Under-Mount Single Bowl
 Flat Apron Front Farm Sink



Product Compliance:
 • ASME A112.19.3-2008 / CSA B45.4-08



Model	Depth	Gauge
482-6767	7-3/4"	18G

31" X 20" X 7-3/4" R15 Radius Under-Mount Single Bowl Flat Apron Front Farm Sink

FEATURES

- * Premium Grade T-304 Stainless Steel
- * R15 Radius Corner for Easy Cleaning
- * 8-3/8" Apron Height, 7-3/4" Depth Bowl • 18 Gauge
- * Lustrous Satin
- * 3-1/2" Drain Opening
- * Heavy Duty Sound Deadening Pads Plus Fully Coating Underneath
- * Includes 7 Fasteners for Under-Mount Installation
- * Sink Grid Included.
- * Supplied With Fasteners And Instructions
- * Cutout Template (DXF File Available)
- * Limited Lifetime Warranty

Optional Accessories



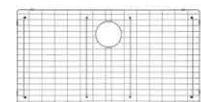
Basket Strainers



Deep Cup Basket Strainers



Soap Dispensers



Stainless Steel Grid Included

Project / Job Name			
Architect / Engineer			
Contractor			
Model		Quantity	
Notes:			