

*Tuscany*<sup>®</sup>

## Dual-mount Sinks Installation Instructions

Stainless Steel

**Note:** The sink provided is considered a universal mount sink - it can either be installed as an under-mount with the counter-top overhang or a traditional top-mount.

For top-mount installations, please follow top-mount sinks installation.

For under-mount installations, please follow under-mount sinks installation.

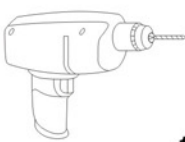







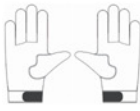

**CAUTION: Risk of personal injury. Metal surfaces can be sharp and can cause severe cuts. Please use gloves and handle the sink with care.**

Remember, it is your responsibility to follow all local plumbing and building codes.

**\* BEFORE INSTALLING THE SINK, INSPECT IT FOR DAMAGE. DO NOT INSTALL A DAMAGED UNIT.**

**The warranty will be voided if these installation instructions are not followed.**

### RECOMMENDED TOOLS

1	Drill and Drill Bit	 1  2  3  4
2	Long Shank Flat Screwdriver	
3	Plumbers Putty	
4	Pencil	
5	Silicone Caulk and Caulk Gun	 5  6  7
6	Saber Saw	
7	Flashlight	
8	Teflon Tape	 9  10  11
9	Safety Glasses	
10	Gloves	
11	Adjustable Wrench	

For safety and ease of installation, factory recommends the use of the helpful tools above.

# Top-mount Sinks Installation

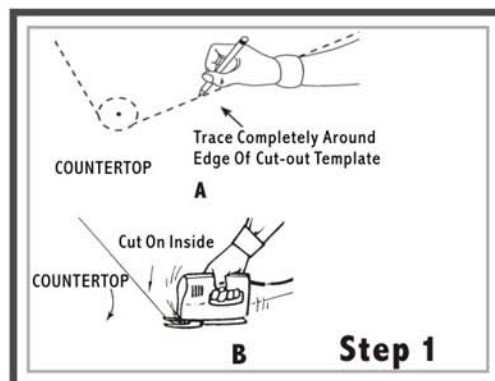
## Step 1

THIS STEP ONLY FOR NEW COUNTER INSTALLATION.

IF YOU HAVE AN OLD COUNTER TOP ALREADY CUT, PLEASE GO TO STEP 2.

(For laminate countertop only, other materials should refer to the countertop manufacturer's recommendations.)

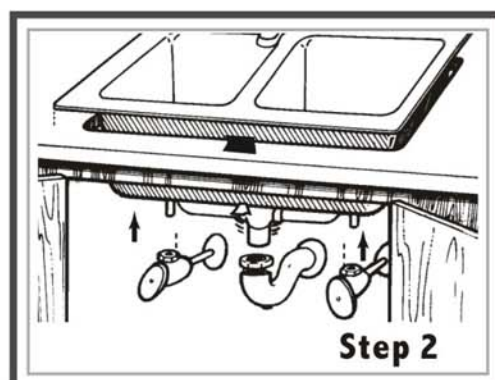
- A. Locate template, put masking tape over the area where your sink cut-out will be, this helps avoid splintering of the laminate when you are cutting, trace completely around edge of cut-out template.
- B. It is important that your cut-out be EXACT. First, drill a 3/8" dia. hole for the saber saw blade on the inside edge of the cut-out. Cut sink opening, using the cut-out line as your guide. Brace up the cut-out portion as you complete cutting to avoid splintering the edge of hole. Sand edges smooth.
- C. Go to step 3.



## Step 2 (Out With The Old)

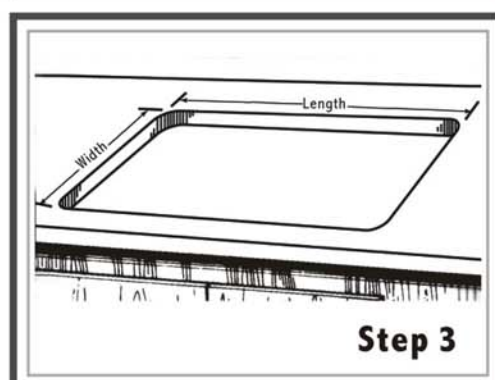
Here's how to remove the old sink:

- A. Shut off the water supply valves.
- B. Disconnect the water supply fittings.
- C. Disconnect the drain fittings.
- D. From the underside of the sink, with your flashlight and long screwdriver, loosen and remove the frame clamps or rim fasteners.
- E. Lift the entire sink out of the countertop.



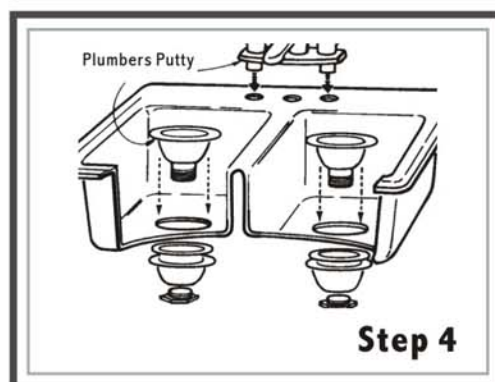
## Step 3 (Check Your Dimensions)

Check the countertop cut-out opening by placing the sink in the opening to be sure it is sized properly. The sink rim must be set uniformly on the countertop, ensure the corners of the sink sit properly. If the sink does not fit, enlarge the cut-out opening with a saber saw.



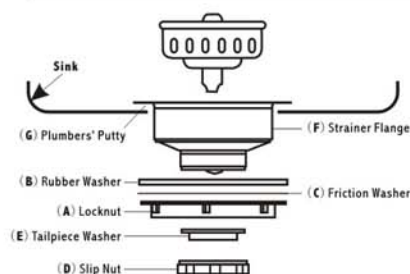
## Step 4 (Attach Faucet, Drain Fittings and Accessories)

If you are installing a new faucet and/or drain fitting, garbage disposal or other accessory, follow the directions provided with these products. If you are re-installing the fittings you had on the old sink, first clean off all old putty or silicone before installing, then mount it on the new sink using putty or silicone caulk under the disposer flange. (See sink strainer installation instructions below.) Using flexible supply lines and measuring from the shut off to the bottom of the countertop and then using ones at least 4" longer to allow for movement. Attach your supply lines to the faucet using teflon tape on all threaded water connections at this time.



## Sink Strainer Installation Instructions:

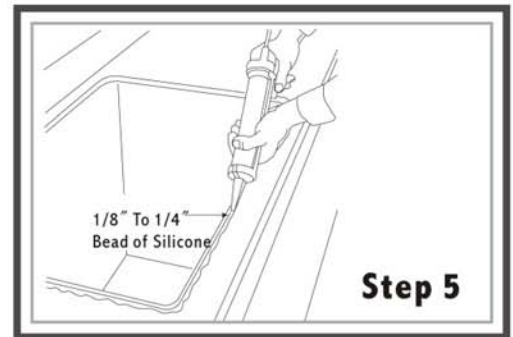
- Place strainer in sink opening making certain that sufficient (G) Plumbers' Putty is used between the bottom of the (F) Strainer Flange and the top of the sink to seal properly.
- From underneath, place (B) Rubber Washer first, then (C) Friction Washer. Screw threaded locknut onto strainer.
- Thread on (A) Locknut, hold strainer firmly in place. Tighten securely.
- Place (E) Tailpiece Washer inside of tailpiece with flat side of washer facing up. Insert tailpiece through (D) Slip Nut and then assemble to the bottom of the strainer outlet.





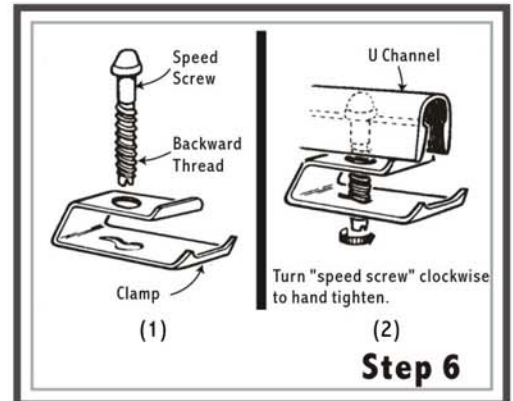
## Step 5

Apply a small bead of silicone caulk compound completely around all edges of sink opening. Stay approximately 1/4" from cut-out. Use only a 1/8" to 1/4" bead of silicone. More will make the sink difficult to seal to the countertop.



## Step 6 (Assemble and Insert Sink Fasteners)

Assemble the screws into the U channel fasteners as shown (1). (Note: Screws are designed to insert into the channel fasteners with backward threading, so that in mounting, they will turn the counter-clockwise direction.) Locate the fasteners in the position as shown (2). Hand tighten each fastener onto the channel so that the clamp "teeth" point is the same direction as the U channel. To install U channel fasteners in channel bar: Slide U channel fasteners into channel bar from either open end and/or slots in channel.



## Step 7 (Engage and Tighten Fasteners)

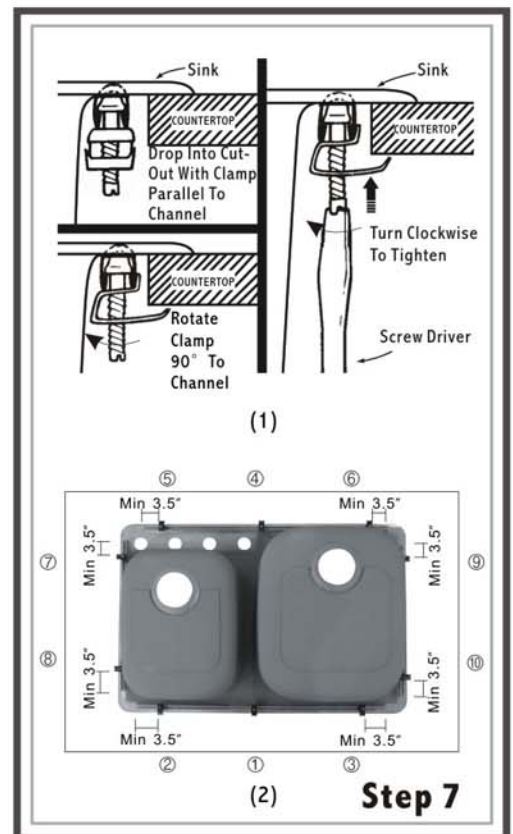
Insert the sink into the countertop. (If the cut-out is undersize, please go back to step 3 and do not force the sink.)

Position the fasteners claw end under top edge (See diagram (1) for example). Locate the fastener in the position as shown in diagram (2).

CAUTION: Improper tightening of channel fasteners could result in improper installation or cause damage to sink.

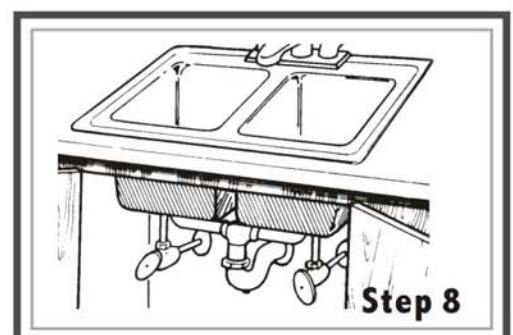
Tightening Sequence is as follows:

- With U channel fasteners equally spaced, and with one at each end of channel bar, hand tighten channel fasteners, starting at center and working toward sides.
- Re-check sink position on counter top.
- Tighten all channel fasteners an additional quarter turn with a flat head screwdriver. **IMPORTANT – DO NOT OVERTIGHTEN.**



## Step 8 (Connect Faucet Supplies and Drain Fittings)

Connect the drain trap fittings, connect the faucet supply fittings using teflon tape and turn on the water supply. Check for possible leaks at these locations: Supply lines to faucet, and Supply lines to shut-off valves (or, lower connections). Next fill the sink bowl with water and check for possible leaks around the drain flange(s). This would show up as dripping into the cabinet below. Release water from sink and check for possible leaks at drain connections. Tighten any joints which leak.



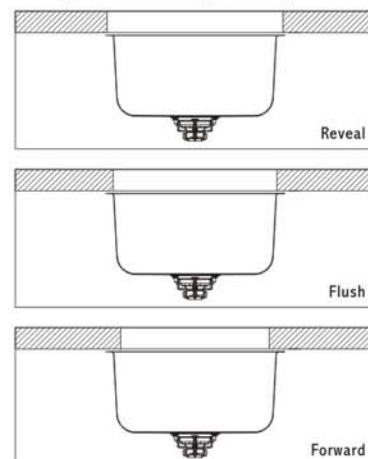
# Under-mount Sinks Installation

**Undermount sinks can be installed with three different reveals - Reveal, Flush, Forward. Deciding on your preferred Look must be done prior to installation. (See diagram)**

**Reveal** - The countertop edge sits approximately 1/4" back from the edge of the sink, exposing the sink rim.

**Flush** - The countertop meets the edge of the sink, fitting flush with the sink bowls.

**Forward** - The countertop extends over the edge of the sink on all sides by approximately 1/4". Use caution with this installation to be sure that accessories such as colanders or cutting boards will fit properly.



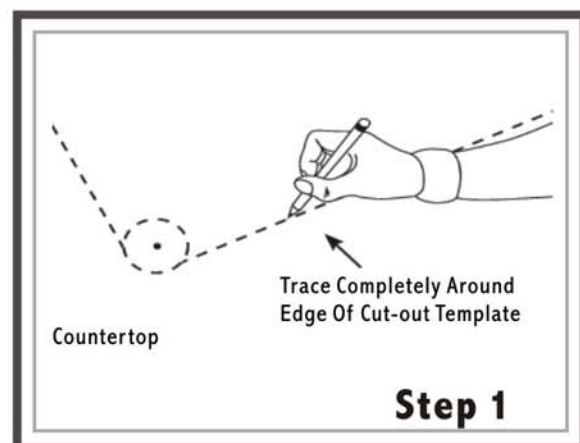
**If this is a new countertop installation, please refer to the countertop manufacturer's instructions.**

**If this is a replacement sink, see Step 2.**

## Step 1

Position template on countertop. Locate the template front to rear, so that sink will not interfere with the cabinet.

**NOTE** : Skip step 2 if this is a new installation.



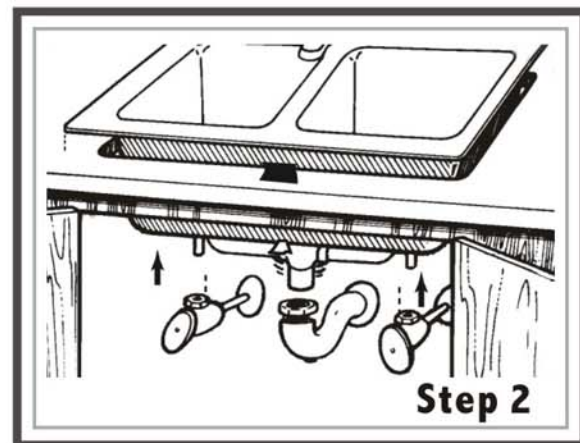
## Step 2 (Out With The Old)

Here's how to remove the old sink:

- Shut off the water supply valves.
- Disconnect the water supply fittings.
- Disconnect the drain fittings.
- From the underside of the sink, with your flashlight and long screwdriver, loosen and remove the frame clamps or rim fasteners.
- Lift the entire sink out of the countertop.

## Step 3

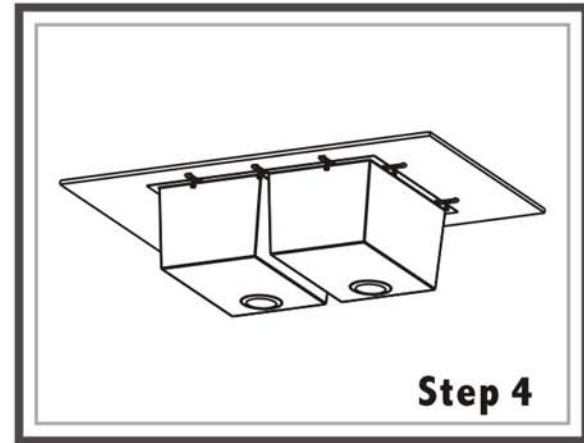
Locate and drill the mounting holes (following the countertop manufacturer's instructions) as shown below. Holes should allow even spacing of mounting brackets around the sink. Type of fasteners to be as recommended by countertop supplier.





## Step 4 (Install the Sink)

Clean the bottom of the countertop and the top flange. Then apply a bead of silicone adhesive sealant to the top edge of the bowl flange and position the bowl in the countertop. The easiest way to handle the sink is via the drain hole or holes, especially if it's a double bowl model.



## Step 5

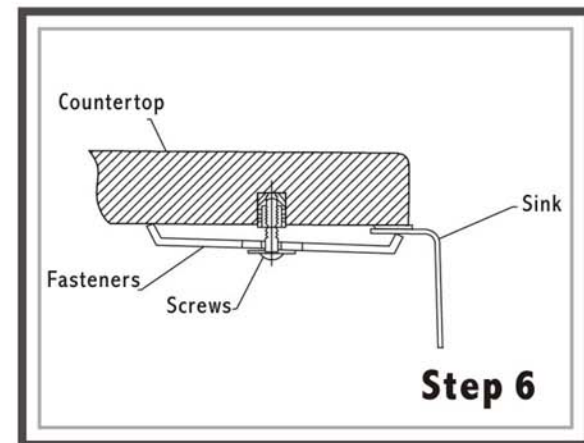
Position and align sink under the countertop opening. Press silicone onto countertop.

### NOTE :

Do not fully tighten one clip at a time. Partially tighten a clip, then partially tighten the clip across from it. After each clip is partially tightened, repeat the process, fully tightening each clip. This ensures a secure installation and avoids damage to the sink.

## Step 6

Tighten fasteners until mounting brackets are snug against sink.

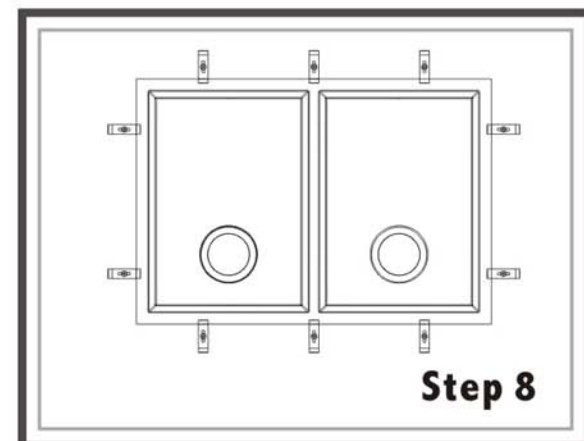


## Step 7

Check alignment of sink to countertop opening.

## Step 8

Tighten down fasteners evenly. Be careful not to overtighten. Remove excess silicone.



View from under counter.

## **Stainless Steel Sink Care:**

### **After Each Use:**

- Remove all objects, pads, grids, cloths, etc., from sink.
- Clean with light soap solution, rinse, drain all water and towel dry.

### **Regular Maintenance:**

**Side Walls and Bottom of Sink:** Remove stains using a cleaning product that contains mild abrasives; always wipe in grain direction; rinse well and towel dry. For stubborn stains or scratches use a fine grit scrubbing pad following direction of sink grain finish. Pay careful attention to the directional change.

**Mineral Deposits:** Use a cleaning product that contains mild abrasives or a light solution of vinegar and water (1:20 ratio); rinse well and towel dry.

**CAUTION:** Stainless steel requires exposure to air; DO NOT leave items, objects, cloths, mats, water, pots and pans, cast iron, knives, etc., in sink when not washing. Some items void stainless steel from oxygen and can cause pitting or rusting.

### **DO NOT :**

- Use steel wool or other metal or coarse scouring pads.
- Stand on or in sink when cleaning windows, reaching for top shelf, painting, etc.
- Drop heavy objects in sink as this will cause denting.
- Leave water, bleach, other cleaners, or chemicals of any type in sink; always rinse sink after any use and dry with towel.
- Use concentrated bleach; always dilute with water and rinse thoroughly after use.
- Use any acids, drain cleaners, harsh chemicals, paint removers, metal cleaners, etc., in sink.
- Drop sharp objects in sink or use as a cutting surface.

## **Lifetime Limited Warranty**

The manufacturer warrants that the parts and assemblies of this product will be free from defects in material and workmanship under normal household use for as long as it is owned by the original consumer purchaser.

This warranty covers the original consumer purchaser only and does not include business, commercial or industrial use of this product. This warranty shall not apply to goods which have been subject to accidents, negligence or improper installation. Our responsibility under this warranty is limited only to the replacement of parts and no other costs. Should a malfunction occur within the time covered by this warranty, replacement parts may be obtained from Customer Service Department 1 - 800 - 626 - 3525 . The manufacturer will, at its discretion, provide replacement parts for installation by consumer for any parts that prove defective under normal usage and service with new and like or equivalent parts.

Revised 09/28/16