



LIMITED LIFETIME WARRANTY

Compass Manufacturing International warrants to the original consumer purchaser that the faucet be free from defects in material and workmanship for as long as the original consumer purchaser owns the home in which the faucet was first installed.

In the event that Freendo faucets are used in a Commercial Application, this warranty is limited for a period of 5 years, unless otherwise specifically stated in the catalog and/or price book.

Compass Manufacturing International will replace, free of charge, during the applicable warranty period, any part or finish that proves defective in material and/or workmanship under normal installation, use and service. This warranty shall not apply to goods which have been subject to accidents, negligence or improper installation. Compass Manufacturing International will not be liable for other damages or losses, including, but not limited to: labor charges and/or damages incurred in installation, repair or replacement as well as any other kind of loss or damage. Proof of purchase from the original consumer purchaser must be made available for all warranty claims.

Compass Manufacturing International recommends using a professional plumber for all installation and repair. Compass Manufacturing International will, at its discretion, provide replacement parts for installation by consumer for any parts that prove defective under normal usage and service with new or equivalent parts. Replacement parts may be obtained by emailing the address below, calling the number below or by writing to:

Compass Manufacturing International
Freendo Product Service
6702 Enterprise Drive
Louisville, KY 40214
800.626.3525
warranty@cmiproduct.com

Revised 4/28/16

warranty@cmiproduct.com

© Compass Manufacturing International

800.626.3525



Model No. : 191-7703 Polished Chrome
191-7704 Brushed Nickel **Spotless PVD™**
191-7705 Oil-Rubbed Bronze



Two Handle High ARC Kitchen Faucet With Side Spray

Fits 4 Hole Sink, 8" Center-set



Helpful Information

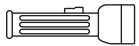
Helpful Tools

Tools:

Gather the necessary tools as shown below to complete the installation of this faucet. Some may not be needed depending on the model of faucet you are installing. Check with your local hardware store on the requirements of your installation situation.



Plumbers Putty



Flashlight



Basin Wrench



Safety Glasses



Screwdriver



Pliers



Channel Locks



Adjustable Wrench

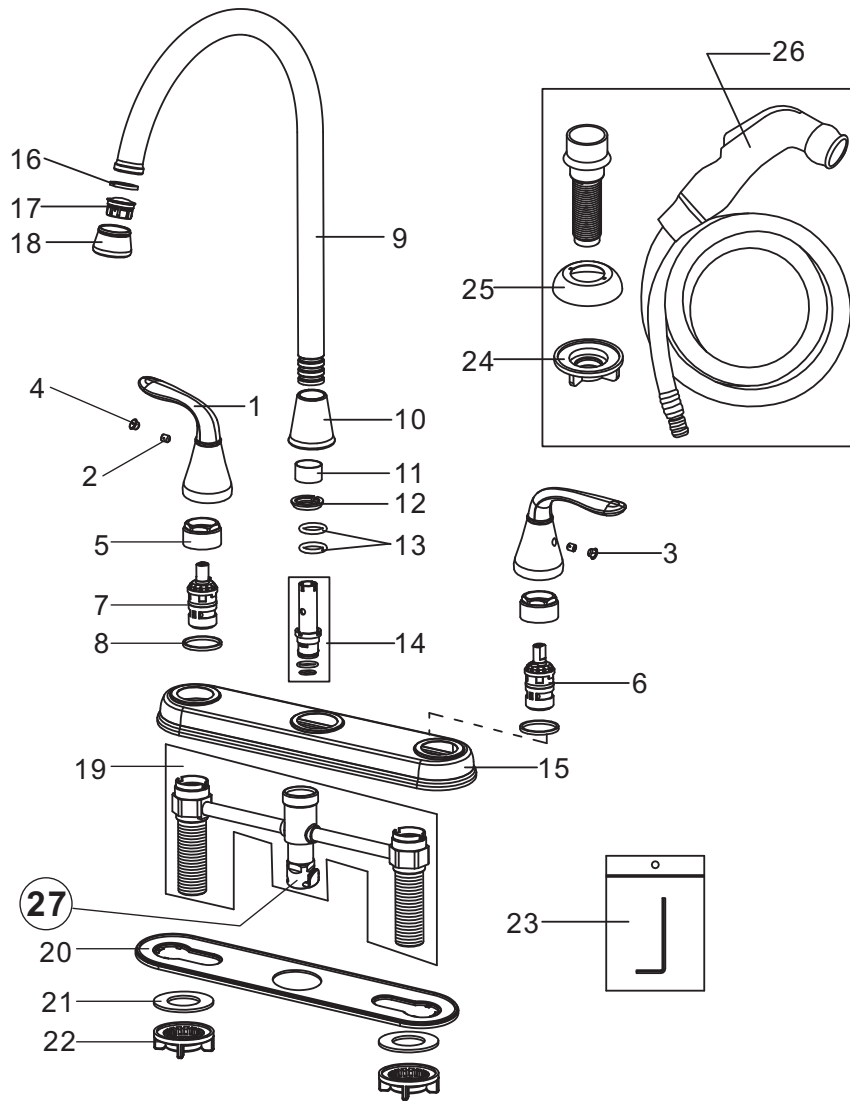
5

Parts List

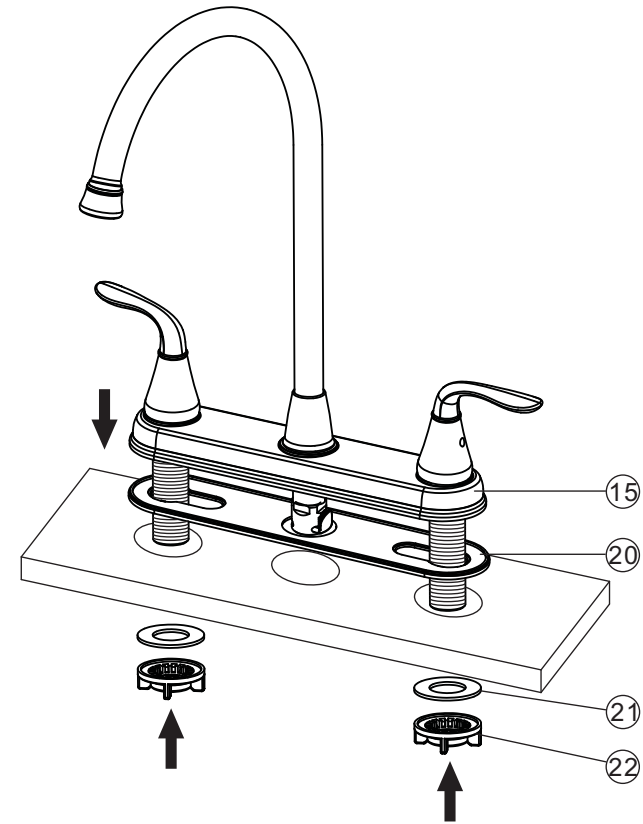
26	Side Spray
25	Spray Gasket
24	Plastic Locknut
23	Allen Key
22	Plastic Locknut
21	Washer
20	Putty Plate
19	Brazed Underbody
18	Aerator Collar
17	Aerator Core
16	Washer
15	Deck Plate
14	Diverter
13	O-ring
12	Wearing Ring
11	Protective Sleeve
10	Hub Nut
9	Spout
8	Plastic Washer
7	Cartridge(Hot water)
6	Cartridge(Cold water)
5	Cartridge Locknut
4	Index(Red)
3	Index(Blue)
2	Set Screw
1	Handle
No.	Part Name

4

Parts Diagram

**1**

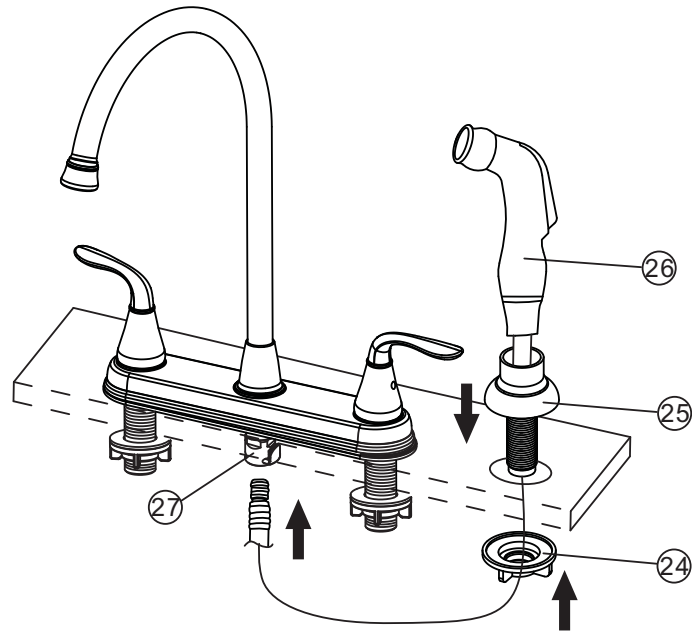
Faucet Installation



1. Position the faucet, deck plate (15) and putty plate (20) on countertop as shown. Put the washer (21) and plastic locknut (22) to tailpiece of faucet and tighten the plastic locknut by hand.

2

Shower Installation



2. Slide the spray hose through the hole as shown. Fix the side spray (26) by tightening the plastic locknut (24). Place some plumber putty underside the spray gasket (25) if necessary.
3. Connect the spray hose to the quick connect assembly (27).
CAUTION : MAKE SURE THAT THE SPRAY HOSE IS PROPERLY ENGAGED AND SECURED TO QUICK CONNECT ASSEMBLY.

3

Configuration

A. Faucet Shank



B. Faucet Shank



C. Faucet Shank



- Connect to water supply lines with either:
- (A) 3/8" O.D. Copper tubing (ball nose risers with the coupling nuts or;
 - (B) 3/8" Copper tubing (no ball) with supplied tube head interior connector or;
 - (C) IPS faucet connectors (1/2")



Warning:
The supply valves and supply lines are not included.