

ALEXIA 54" ACRYLIC ROLL TOP TUB

Cat. No.
ATR7H53



L: 54"
W: 29-5/8"
H: 22-1/2"

Water depth: 17-1/2" to top of tub
Water depth: 13" to overflow
Overflow hole: 1 1/2"

**The following is recommended
for ATR7H53 tubs:**

- Rim-mounted faucets: part #4601 or 4201
- Use with Straight Bath Supplies: part #5577
- Leg tub drain: part #5599

Gallon Capacity : 40
Shipping Weight: 126 lbs.
Empty Weight: 66 lbs.
Filled Weight: 394 lbs.

Features:

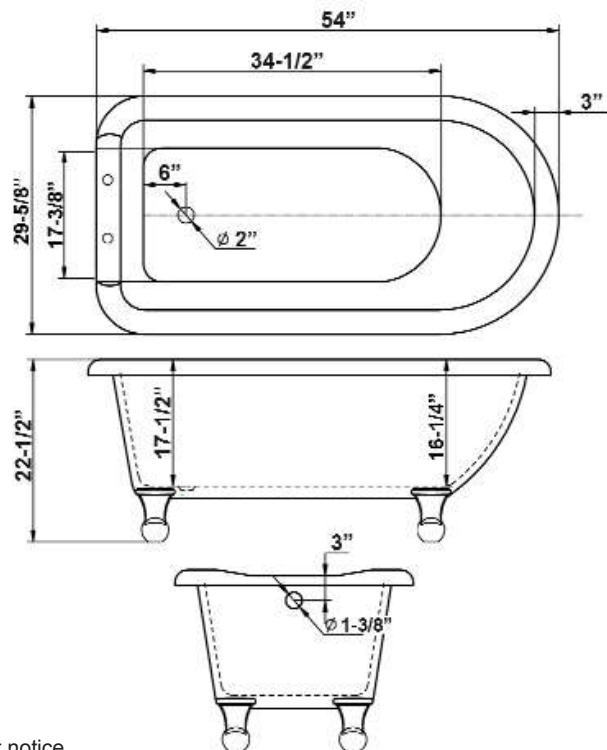
- ▶ Interior and exterior walls acrylic sheets
- ▶ Space between walls partially filled with fiberglass & resin
- ▶ Solid brass ball and claw feet
- ▶ 7" centers in tub deck
- ▶ Pre-drilled overflow hole
- ▶ Tub is thoroughly inspected before shipment
- ▶ IAPMO Certified

Foot Finishes:

BN Brushed Nickel **PB** Polished Brass
CP Polished Chrome **ORB** Oil Rubbed Bronze



Custom Colors Available (inside of tub is always white enamel):
Painted bathtubs are considered "special order" and are not returnable
\$160 Bisque or Black \$250 Designer Color



Dimensions of fixture are nominal and specifications subject to change without notice.