

## SELECTRONIC® INTEGRATED ELECTRONIC PROXIMITY LAVATORY FAUCET WITH ABOVE-DECK MIXING, BATTERY POWERED



### PRODUCT FEATURES:

- **Flexible Selectronic Platform** with programmable, multi-function sensor.
- **Hygienic, touch-free operation**
- **Easy Installation:** Simple integrated design; sensor, solenoid valve and electronics are enclosed in the spout. No control box below deck.
- **Above-Deck Mixing:** Allows user to manually adjust temperature. Leak-free ceramic disc valve. Hot limit safety stop to reduce the risk of accidental scalding. Installer can set temperature and remove handle to prevent user adjustment.
- **Dual Inlets:** For hot and cold water. Inlet hoses include check valves to prevent cross flow and filter screens to protect the solenoid valve.
- **Seamless Cast Brass Body:** No crevices. Easy to clean. Vandal-resistant.
- **Optional Auto Purge Feature:** Faucet can be programmed to open at a pre-determined time after last use to purge the faucet and water lines of stagnant water.
- **Safety Timer:** Helps prevent vandalism by turning off the faucet if the sensor is covered for 55 seconds or more. Timing is adjustable with optional remote control.
- **Adjustable Range:** Detection zone can be adjusted manually or with optional remote control.
- **Fail-Safe:** Faucet automatically shuts off upon loss of power or dead battery. Prevents costly excess water usage and potential flooding.
- **Lead-Free:** Faucet contains  $\leq 0.25\%$  total lead content by weighted average.

### MODEL NUMBER:

#### ■ DC (CR-P2 LITHIUM BATTERY) POWERED

- **7055.205** 0.5 gpm/1.9 L/min pressure compensating, vandal-resistant multi-laminar spray.
- **7055.215** 1.5 gpm/5.7 L/min pressure compensating, vandal-resistant laminar flow outlet with adjustable stream direction.



#### ■ OPTIONAL 4" Deck plate

- **705P.400** 4" brass deck plate with 1/4" fixation studs and quick spin nuts. Includes fixation pin that prevents the faucet spout from rotating.

#### ■ OPTIONAL Mixing Valve

- **605XTMV1070** Thermostatic mixing valve. 20" flexible stainless steel inlet hoses with 3/8" compression fittings. ASSE 1070 certified down to 0.35 gpm/1.3 L/min.

#### ■ OPTIONAL Remote Control

- **605XRCT** Adjusts setup parameters and allows for customization of functions. Can be used to program all Selectronic faucets and flush valves.

### POWER OPTIONS:

- **PWRX 10 Year Battery System:** Battery Life - 480,000 cycles (10 years @ 4,000 cycles per month). Advanced battery & electronics reduce the downtime and maintenance costs associated with changing batteries. Safety Circuitry prevents overheating in case of short circuit and protects the electronics from damage.
- **DC (Battery):** Includes CR-P2 lithium battery. Battery Life - 192,000 cycles (4 years @ 4,000 cycles per month).

### GENERAL DESCRIPTION:

Electronic faucet with proximity operation. Integrated design with sensor, solenoid valve and electronics enclosed in the spout. Includes Above-Deck Mixing option with ceramic disc valve, hot limit safety stop and removable handle. Vandal-resistant seamless, cast brass spout with single post mounting. Water pressure range from 20 to 125 psi. Dual inlets to spout: 18" flexible inlet hoses with check valves, filter assemblies and 3/8" compression fittings.

### RECOMMENDED SPECIFICATION:

Electronic, sensor-operated lavatory faucet shall feature a programmable, multi-function sensor and an electronically operated solenoid valve. Features a vandal resistant cast brass body with dual inlets with check valves and in-line filter screens. Single post mounting. Integrated design with sensor, solenoid valve and all electronics enclosed in the spout. Shall also feature above-decking mixing option using ceramic disc valve with hot limit safety stop. Shall meet ANSI A112.18.1 and ANSI 117.1 codes. Fitting shall be American Standard Model # 705\_2\_5.

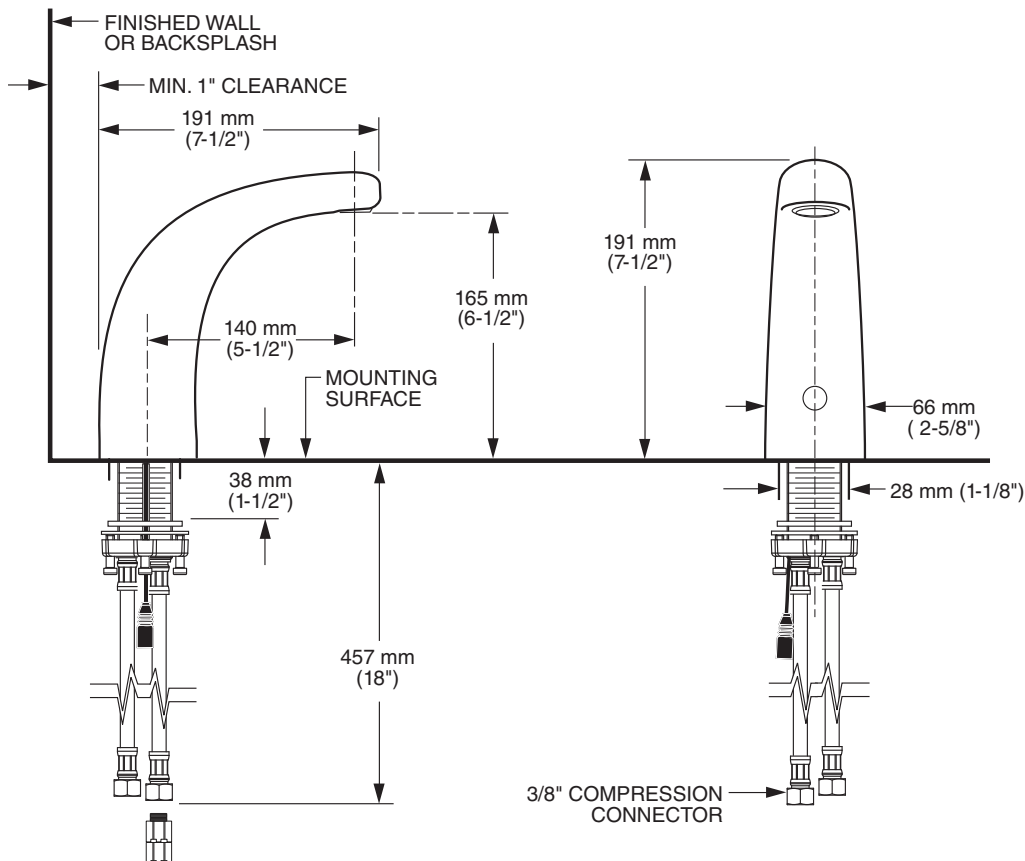
**CODES AND STANDARDS**

These products meet or exceed the following codes and standards:

- ANSI A117.1
- ASME A112.18.1
- CSA B125.1
- NSF 372

Other Aerators Available:	
Part Suffix	Description
V035**	0.35 gpm/1.3 L/min PCA Vandal-Resistant Multi-Laminar Spray

\*PCA - PRESSURE COMPENSATING  
\*\*MEETS CAL GREEN CODE



**NOT RECOMMENDED FOR INSTALLATION ON LUCERNE SINKS**