

INSTALLATION INSTRUCTIONS

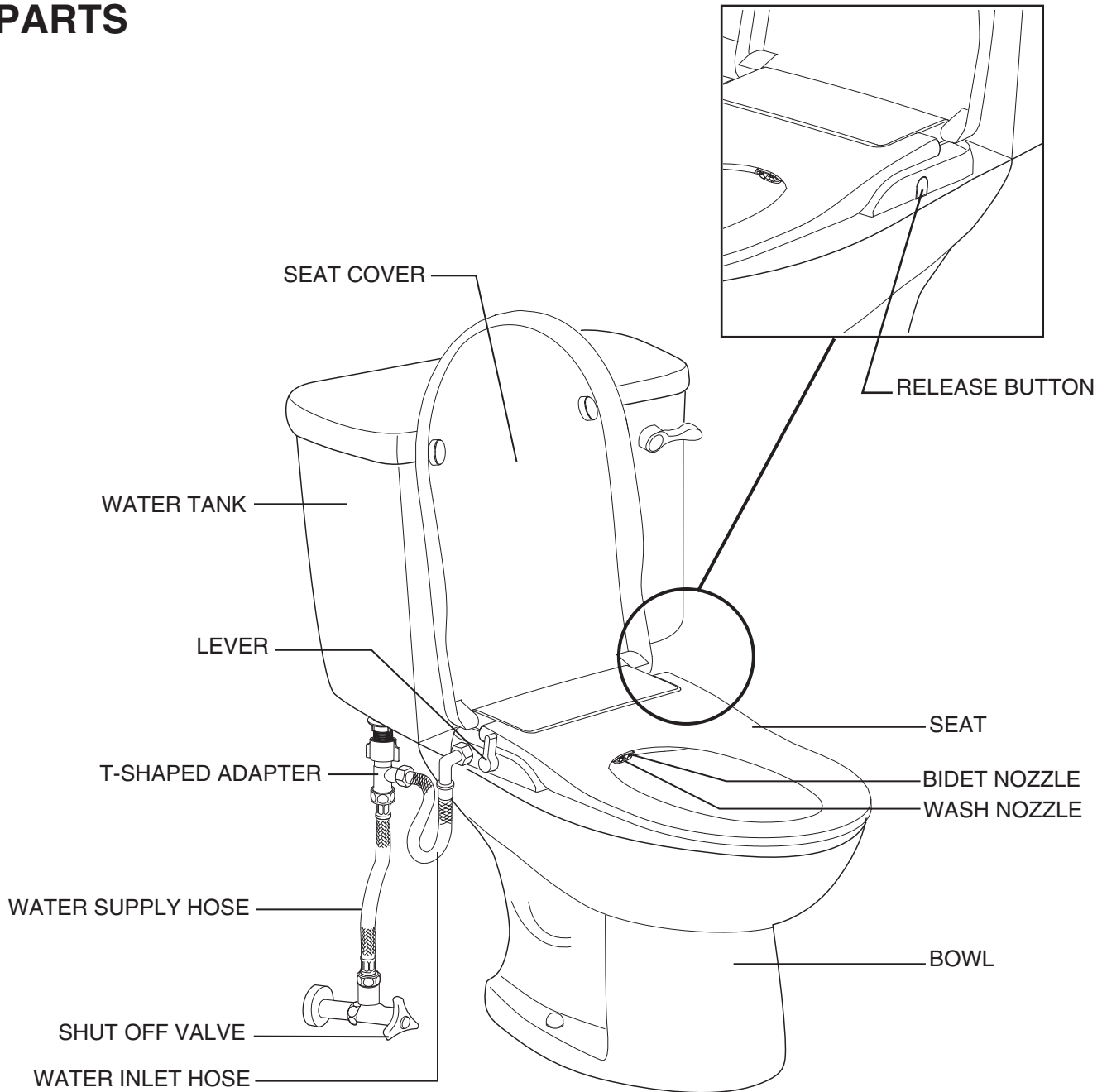
AquaWash® Ambient SpaLet™ Seat Model 5900A05G & 5900A05GT

*American
Standard*

Thank you for selecting American Standard – the benchmark of fine quality for over 100 years. To ensure this product is installed properly, please read these instructions carefully before you begin. (Certain installations may require professional help.) Also be sure your installation conforms to local codes.

NOTE: Pictures may not exactly depict toilet seat and components.

PARTS



SAVE FOR FUTURE USE

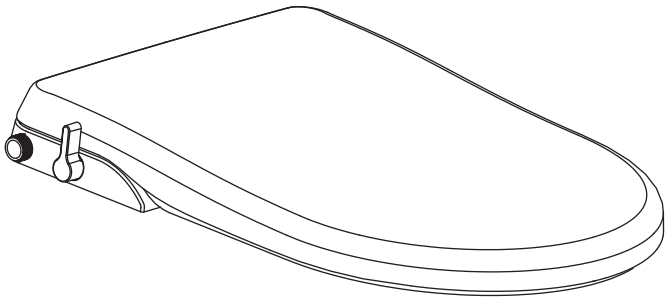


760217-100A

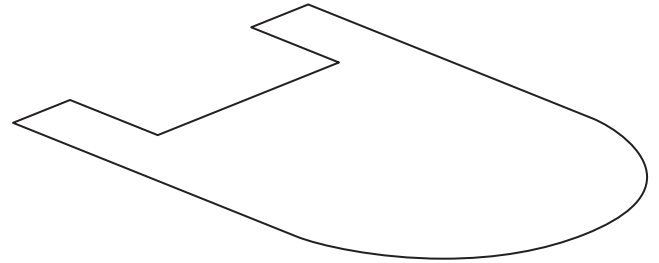
All product names listed herein are trademarks of AS America, Inc. unless otherwise noted.
© AS America, Inc. 2017

760217-100 Rev. A 8/17

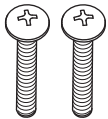
1 BIDET SEAT



2 INSTALLATION TEMPLATE



3 FIXING COMPONENTS



BOLT (2)



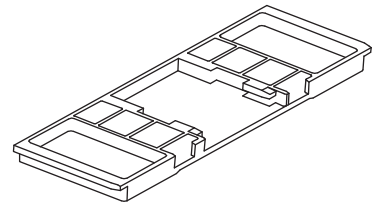
INSERT (2)
(APPLY TO TOP MOUNT)



SLIDING PLATE (2)

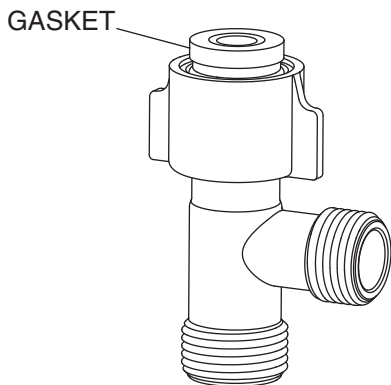


NUT (2)
(APPLY TO BOTTOM MOUNT)

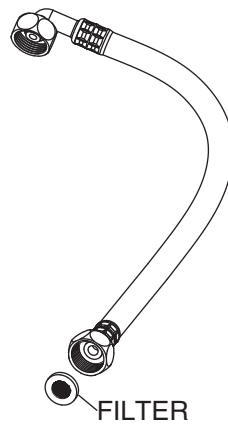


BASE PLATE (1)

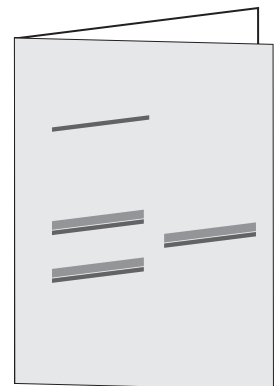
4 T-SHAPED ADAPTER



5 CONNECTION HOSE WITH FILTER



6 USER'S MANUAL



INSTALLATION

Please read the instructions carefully before installing and using.

WARNING

The product requires a flexible supply hose.

The water shutoff valve should be near the installed product for ease of installation.

Do not use in hot water line. Temperature above 40°C (104°F) will damage the product and void your warranty.

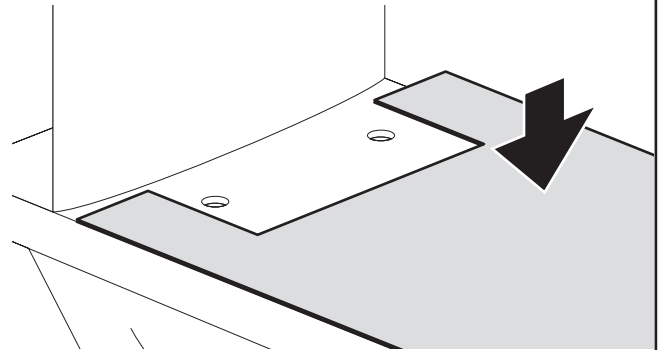
1



Remove old toilet seat.

2

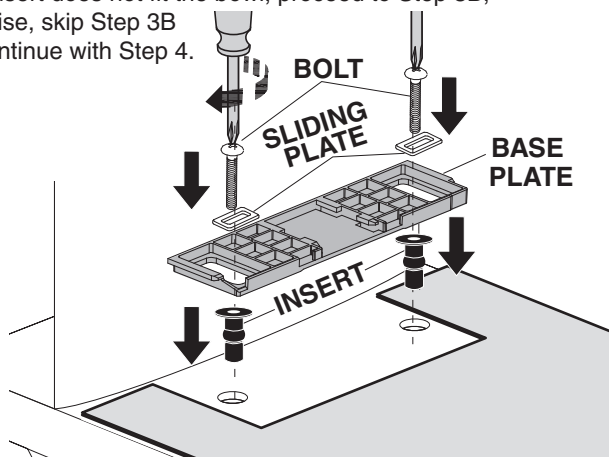
Wipe the bowl surface clean. Lay the template over the top of the toilet bowl. Position the template to how you want the bidet seat to pair up with the bowl once installed.



3A

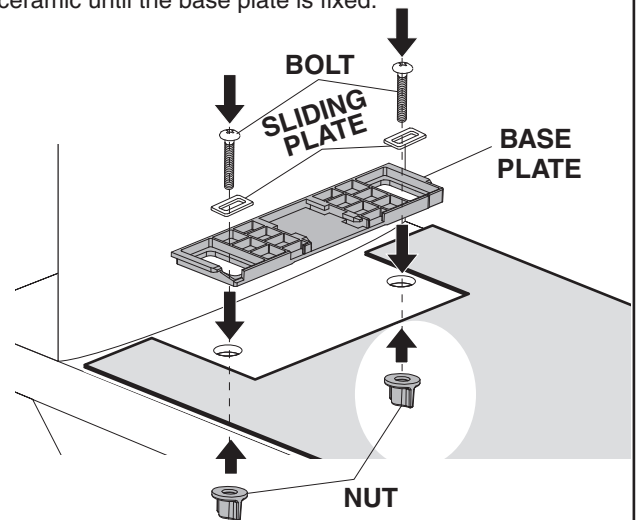
Press the inserts into the toilet bowl holes. Align the base plate to the slotted area of the template and then place the hardware onto the base plate as shown. Using a medium size Phillips screwdriver, start screwing down the bolts into the inserts until the base plate is fixed.

If the insert does not fit the bowl, proceed to Step 3B, otherwise, skip Step 3B and continue with Step 4.



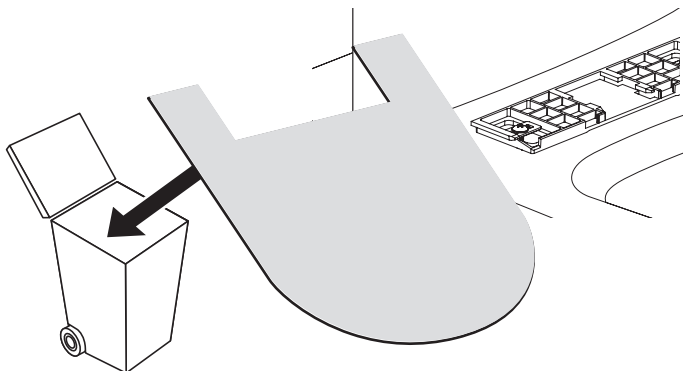
3B

Place the base plate in the slotted area of the template and then place the hardware onto the base plate as shown. Screw in the nuts from the underside of the ceramic until the base plate is fixed.



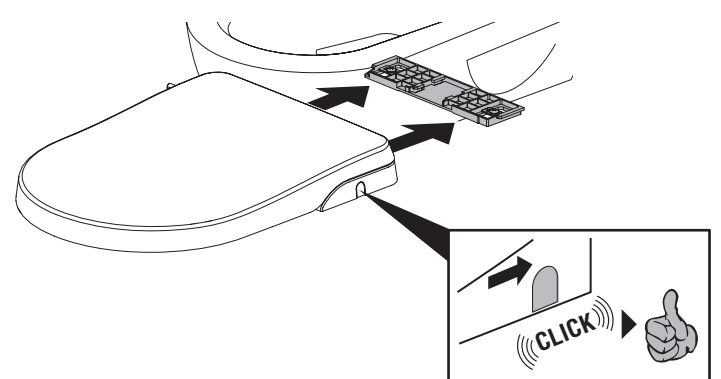
4

Remove the template from the bowl.

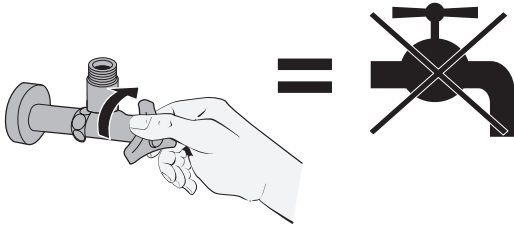


5

Slide the bidet seat across the base plate until you hear a click. The toilet seat is now assembled to the bowl.



6 Turn off the water supply by turning off the water shutoff valve, then disconnect the supply hose.
If you are using a rigid supply line you will need to purchase a flexible supply hose to install the bidet seat.



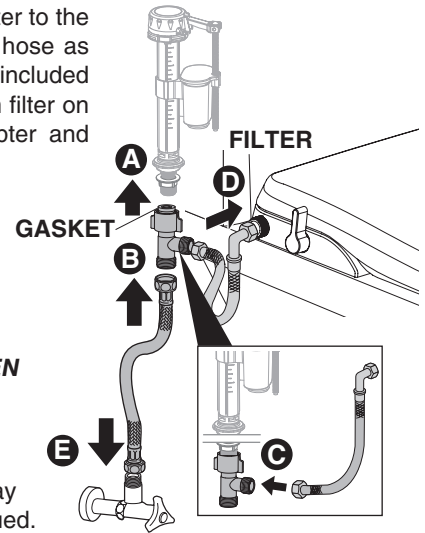
7 Install T-shape adapter to the fill valve and supply hose as shown. Connect the included connection hose with filter on to the T-shape adapter and the bidet seat inlet.

⚠ WARNING

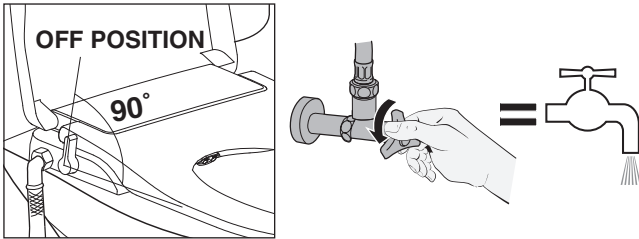
Make sure the filter and seal on the connection hose are installed along with the hose.

⚠ DO NOT OVERTIGHTEN THE THREADED CONNECTIONS.

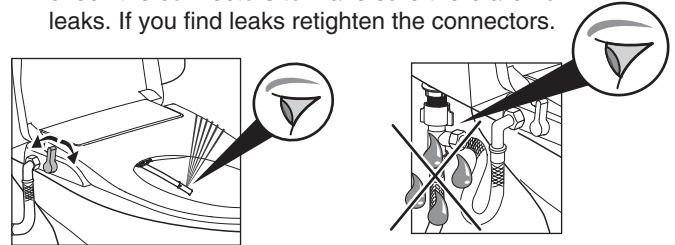
The connections may be broken or the threads may be damaged if over torqued.



8 Make sure the control lever on the bidet seat is at the 90° off position. Turn the water shutoff valve back on.

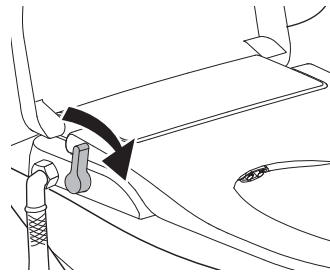


9 While sitting on the seat, rotate the control lever forward or backward for functional testing. Also, check the connectors to make sure there are no leaks. If you find leaks retighten the connectors.

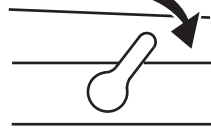


OPERATION

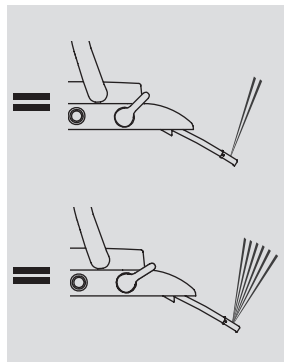
WASH FUNCTION



LOW FLOW

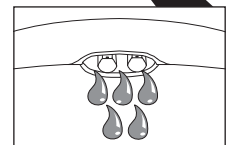
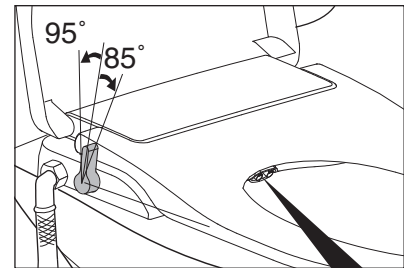
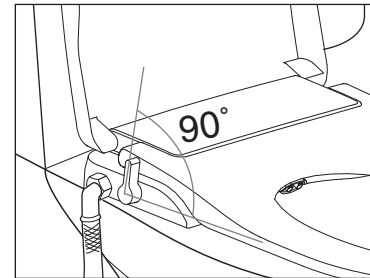


HIGH FLOW

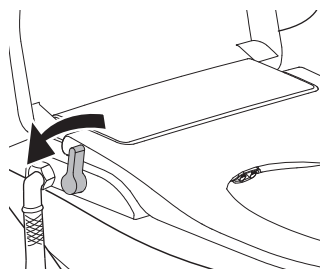


OFF AND SELF-CLEANING

Keep the lever at the 90° position when not in use. The wand cleans itself after each use. For additional cleaning of the wand, position the lever at 85° or 95° for a few seconds and then reposition back to 90°.



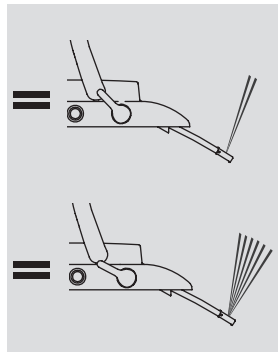
BIDET FUNCTION



LOW FLOW



HIGH FLOW

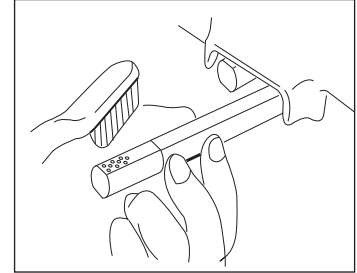


CLEANING AND MAINTENANCE

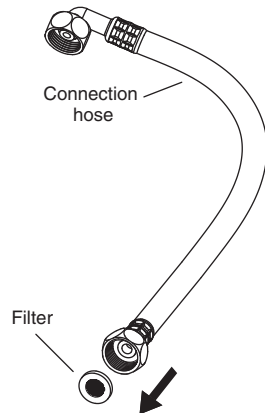
1 DO NOT USE AGGRESSIVE CHEMICALS: for example: hydrogen chloride, paint thinner, benzene, abrasive cloth or paper, polishing agent, fragrance, insecticide, etc.



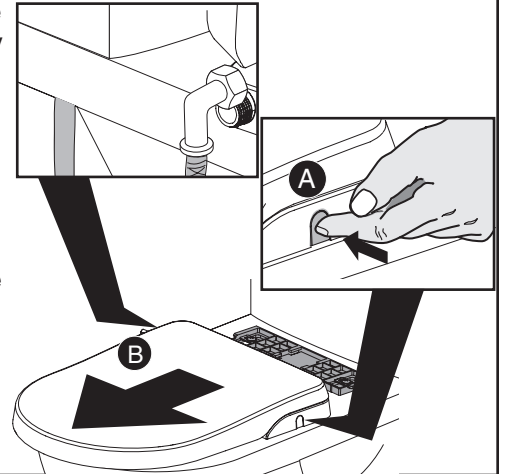
2 You will need to clean the wands when they get build up of residue and calcium. You can pull the wands out with your finger and then with a soft bristle toothbrush, brush the nozzle head.



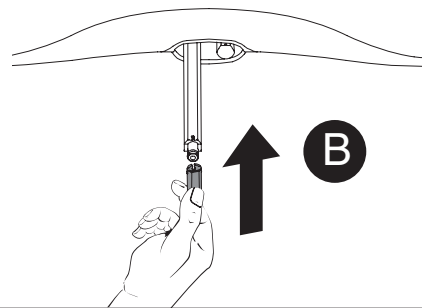
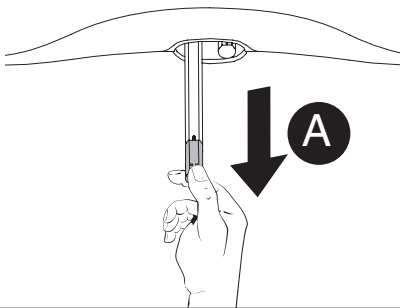
3 If you start to notice that the flow of water is low when using the bidet seat it may be time for the filter to be cleaned out. Especially with new home construction or newly renovated plumbing there are a lot of sediments in the water. You will need to remove the connection hose and clean out the filter as needed.



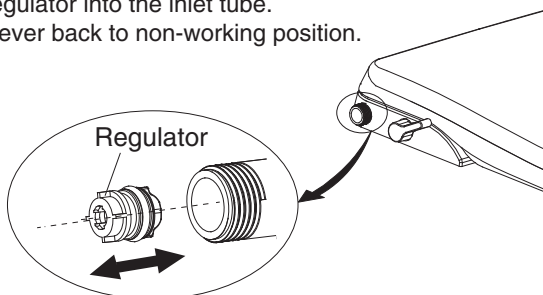
4 You can remove the bidet seat by pressing the release button on the right side of the bidet seat and sliding the seat forward as shown. This enables you to be able to clean more thoroughly around the toilet. Make sure to disconnect the connection hose before you do this.



5 The nozzles can be removed if needed for cleaning. First turn off the water supply to the bidet seat. As per figure A, pull out the tube and remove the old nozzle by pulling out straight, as shown. As per figure B, insert the new nozzle into the tube along the corresponding slot.

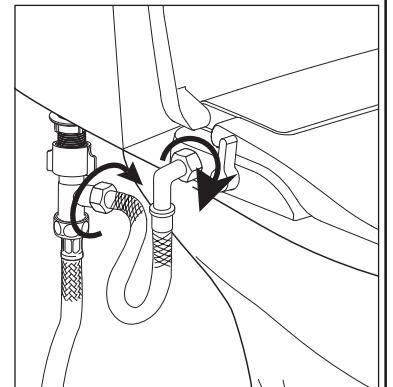


6 The incoming water pressure is regulated by a regulator insert. This can be removed and replaced. First turn off the water supply and disconnect the connection hose. Rotate the lever to the on position, pull out the regulator from the inlet tube with needle-nose pliers. Press the new regulator into the inlet tube. Then rotate the lever back to non-working position.



7 If anything shall leak, retighten the connection and use teflon tape if needed. If water leaks from the two ends of the water hose, retighten the nuts to avoid water leaking

! WARNING
DO NOT OVERTIGHTEN
AS IT WILL DAMAGE
THE CONNECTION.
HAND TIGHTENING IS
RECOMMENDED.



TROUBLESHOOTING		
PROBLEM	POSSIBLE CAUSE	CORRECTIVE ACTION
Water is too low during WASH/BIDET	1. Low water pressure of the unit	During WASH/BIDET, turn the lever fast to biggest volume
	2. Low water pressure of water supply	When water supply pressure is lower than 0.07MPa (10psi)
No water comes out during WASH/BIDET	1. Water shut-off valve is turned off	Turn on the water shut-off valve
	2. Filter net of T-shaped connector is stuck	Clean the filter net of T-shaped connector
	3. Filter net of water inlet hose is stuck	Clean the filter net of water inlet hose
	4. Nozzle head is stuck	Take off and clean the nozzle head
	5. External water pressure is low	Increase external water pressure
Water dropping from bowl when using the unit	External water pressure is too high	The maximum water pressure of the unit is 0.8MPa (115psi). If water supply pressure is higher than that, please contact local department for water pressure question.

SPECIFICATIONS	
CLASSIFICATION	DESCRIPTION
Model Number	5900A05G & 5900A05GT (FB106)
WASH water flow	035 - 1.8 L/min (0.1 - 0.5 GPM)
BIDET water flow	035 - 1.8 L/min (0.1 - 0.5 GPM)
Backflow Prevention	Check valve, vacuum breaker included
Water Supply	Direct from water pipes
Water Pressure Range	Static pressure: 0.07 - 0.08 MPa (10 - 115 psi) Dynamic pressure: above 0.03 MPa (5psi)
Dimensions	5900A05G & 5900A05GT (FB106) 370 x 500 x 62mm (14.57 x 19.67 x 2.44 in)
Weight	5900A05G & 5900A05GT (FB106): 2.09 KG (4.6 Lbs)

AS AMERICA, INC. ONE YEAR LIMITED WARRANTY

If inspection of this AS America, Inc. ("American Standard") plumbing product, within one year after its initial purchase, confirms that it is defective in materials or workmanship, American Standard will repair or, at its option, exchange the product for a similar model.

This limited warranty applies only to the original purchaser and installation of these products. In the event of a limited warranty claim, proof of purchase will be required—save sales receipt.

This limited warranty does not apply to local building code compliance. Since local building codes vary considerably, the purchaser of this product should check with a local building or plumbing contractor to insure local code compliance before installation.

This limited warranty is void if the product has been moved from its initial place of installation; if it has been subjected to faulty maintenance, abuse, misuse, accident or other damages; if it was not installed in accordance with American Standard's instructions; or if it has been modified in a manner inconsistent with the product as shipped by American Standard.

American Standard's option to repair or exchange the product under this limited warranty does not cover any labor or other costs of removal or installation. IN NO EVENT WILL AMERICAN STANDARD BE LIABLE FOR THE COST OF REPAIR OR REPLACEMENT OF ANY INSTALLATION MATERIALS, INCLUDING BUT NOT LIMITED TO, TILES, MARBLE, ETC. American Standard will not be responsible for any other incidental or consequential damages attributable to a product defect or to the repair or exchange of a defective product, all of which are expressly excluded from this limited warranty. This limited warranty does not cover any liability for consequential or incidental damages, all of which are hereby expressly disclaimed, or the extension beyond the duration of this limited warranty of any implied limited warranties, including those of merchantability or fitness for an intended purpose. (Some states or provinces do not allow the exclusion or limitation of implied limited warranties, so this exclusion may not apply to you.)

This limited warranty gives you specific legal rights. You may have other statutory rights that vary from state to state or from province to province, in which case this limited warranty does not affect such statutory rights.

In the United States:
American Standard Brands
1 Centennial Ave
Piscataway, New Jersey 08854
Attention: Director of Consumer Affairs

For residents of the United States, warranty information may also be obtained by calling the following toll free number: (800) 442-1902
www.americanstandard-us.com

In Canada:
AS Canada ULC
2480 Stanfield Rd.
Mississauga, Ontario
Canada L4Y 1S2

Toll Free: (800) 387-0369
www.americanstandard.ca

In Mexico:
Customer Service Manager
AS Maquila, S.A. de C.V.
Via Morelos #330
Col. Santa Clara
Ecatepec 55540 Edo. Mexico
www.americanstandard.com.mx

THIS WARRANTY IS NOT TRANSFERABLE FROM ORIGINAL CONSUMER PURCHASER.